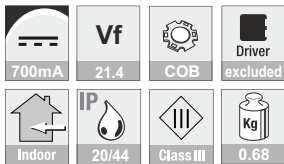


**A0139751 Fulda-1W WW**  
 12.2 Watt COB-LED 402Lm 3000K  
 White frontring

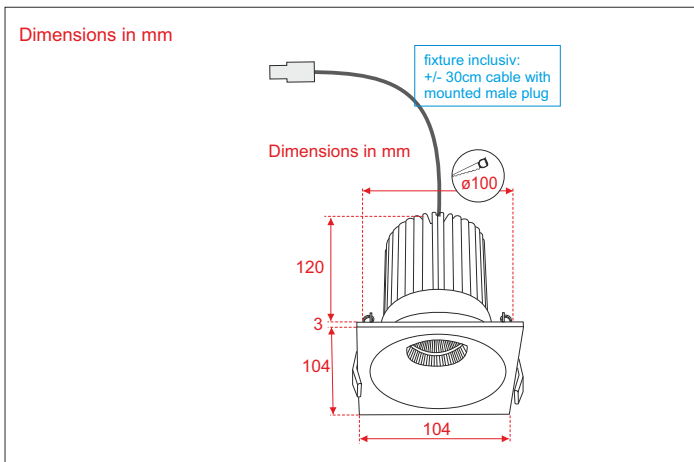
Lamptype: recessed down-light  
 Reflector: with 33.4° homogeneous light beam  
 Antiglare protection

Housing: solid Aluminium white powdercoated RAL9003  
 Weight: 0.68 Kg  
 Dimensions fixture: 104 x 120 mm  
 Fixture Classification: IP-20 Class III  
 Front Classification: IP-44

Operating Power: constant current 700mA  
 Excluded (external) LED-driver  
 Advised LED-drivers: 700mA (dimnable or non dimmable)



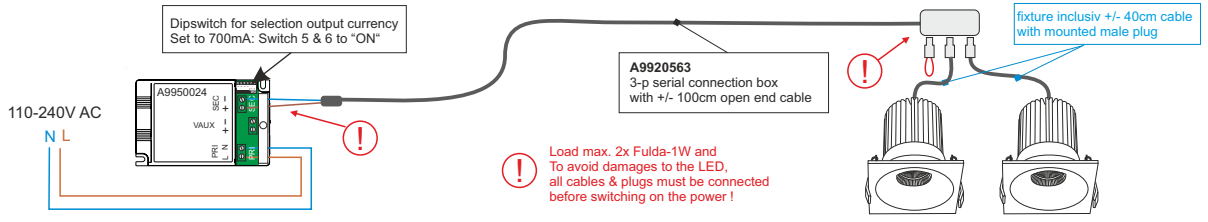
**Always disconnect the mains of the LED driver before plugging or unplugging the LED's !!**  
 The LED's will be damaged or destroyed because of the high voltage present on the driver output when there is no load connected. **Connect the main after all Led's and plugs are connected !**



Height	Fulda-1 WW	33.4°	Øm	Avg.	Nadir.E
0.5m			0.29m	5946 Lx	8150 Lx
1.0m			0.60m	1487 Lx	2037 Lx
1.5m			0.88m	661 Lx	906 Lx
2.0m			1.17m	372 Lx	509 Lx
2.5m			1.47m	269 Lx	368 Lx
3.0m			1.76m	165 Lx	226 Lx

### A Non dimmable Driver

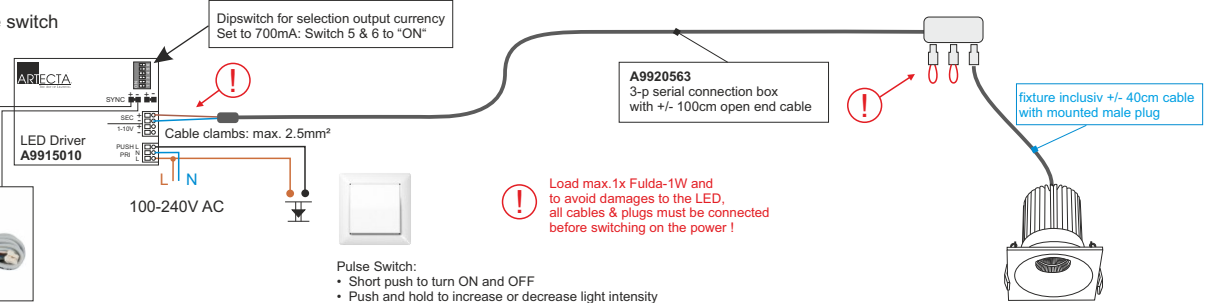
**A9950024**  
Constant current LED-Driver  
Constant current must be set to 700mA  
Set microswitches 1 + 2 to "ON"  
@230VAC 350mA 25W / Vf: 2-74  
@110VAC 350mA 25W / Vf: 2-71



### B Dimmable by A9910010 & pulse switch

**A9950010**  
Constant current  
350mA 15W / Vf: 2-43

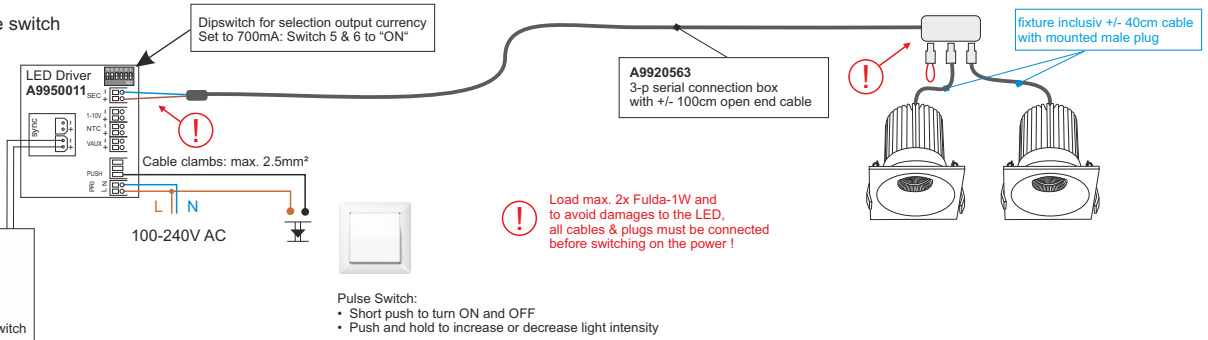
**A9950017**  
Synchronise connection-cable to connect  
the next driver  
Max 10 drivers can be connected  
and controlled by one Pulse Switch



### C Dimmable by A9950011 & pulse switch

**A9950011**  
350mA 25W  
Constant current / Vf: 2-74

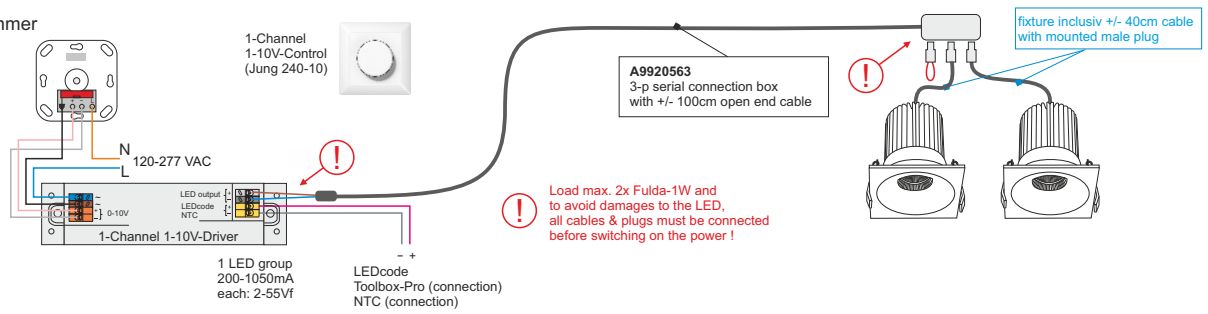
**A9950017**  
Sync connection-cable to next driver  
Max 10 drivers can be controlled by one switch



### D 1-10V Dimmable by Rotary Dimmer

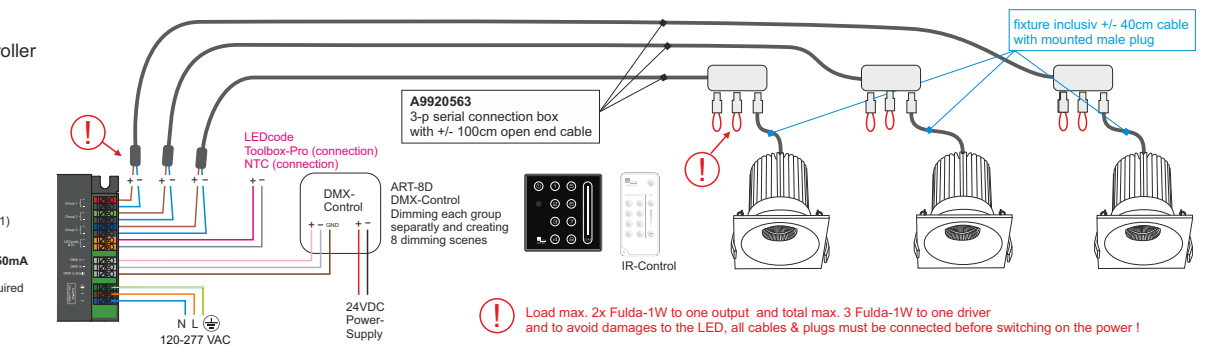
**A9950360** EldoLED SoloDrive-30W SL0361 A  
Dimmable 1-10V  
LED constant current driver max. 30W

Constant Current output  
is standart set to 350mA  
For 700mA setting,  
the toolbox A9915056 is required



### E Dimmable with EldoLED 3-channel Driver and DMX-controller

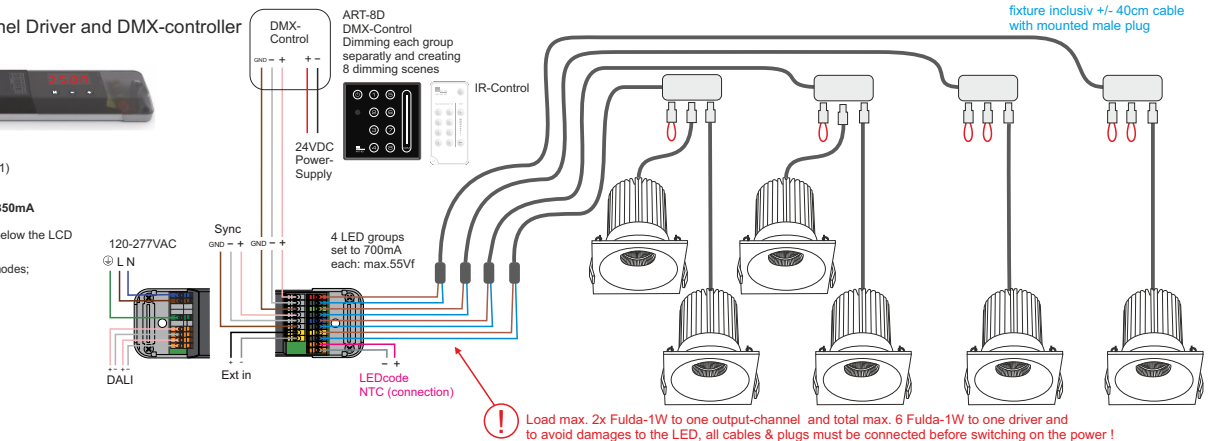
**A9950044** EldoLED PowerDrive-50W (PWR0562 A1)  
3 separately Dimmable LED outputs  
controllable by 3 DMX-Addresses  
The constant current output is standart set to 350mA  
and must be set to 700mA  
All settings, can be changed by 3 buttons (M, -, +) below the LCD



### F Dimmable with EldoLED 4-channel Driver and DMX-controller

**A9950045** EldoLED PowerDrive-100W (PWR16 A1)  
4 separately Dimmable LED outputs  
controllable by 4 DMX- or DALI Addresses or 1-10V  
The constant current output is standart set to 350mA  
and must be set to 700mA  
All settings, can be changed by 3 buttons (M, -, +) below the LCD

- The PowerDrive-100 can be set to different control-modes;
- 1 DMX-Channel: Fader-1 controls all 4 LEDs
  - 2 DMX-Channels: Fader-1 controls LED 1&2  
Fader-2 controls LED 2&3
  - 4 DMX-Channels: Fader-1 controls LED-1,  
Fader-2 controls LED-2,  
Fader-3 controls LED-3  
Fader-4 controls LED-4



**A9950048 EldoLED PowerDrive-600W PW6060R**  
**LED constant current driver max.600W**

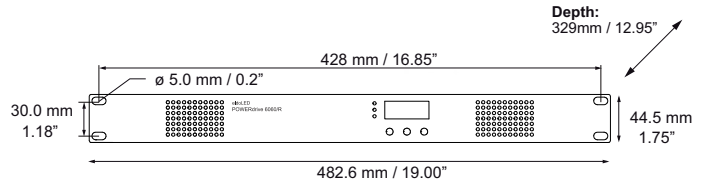
- Dimmable by 0-10V,
- Dimmable by DALI (4x DALI group)
- Dimmable by DMX & RDM (32x DMX channel)

- Stand-alone with 9 default shows, up to 20 user-defined shows, uploadable with TOOLbox and TOOLbox software

**Constant Current output is standart set to 350mA**  
**Connecting the Fulda-2W WW, it must be set to 700mA**

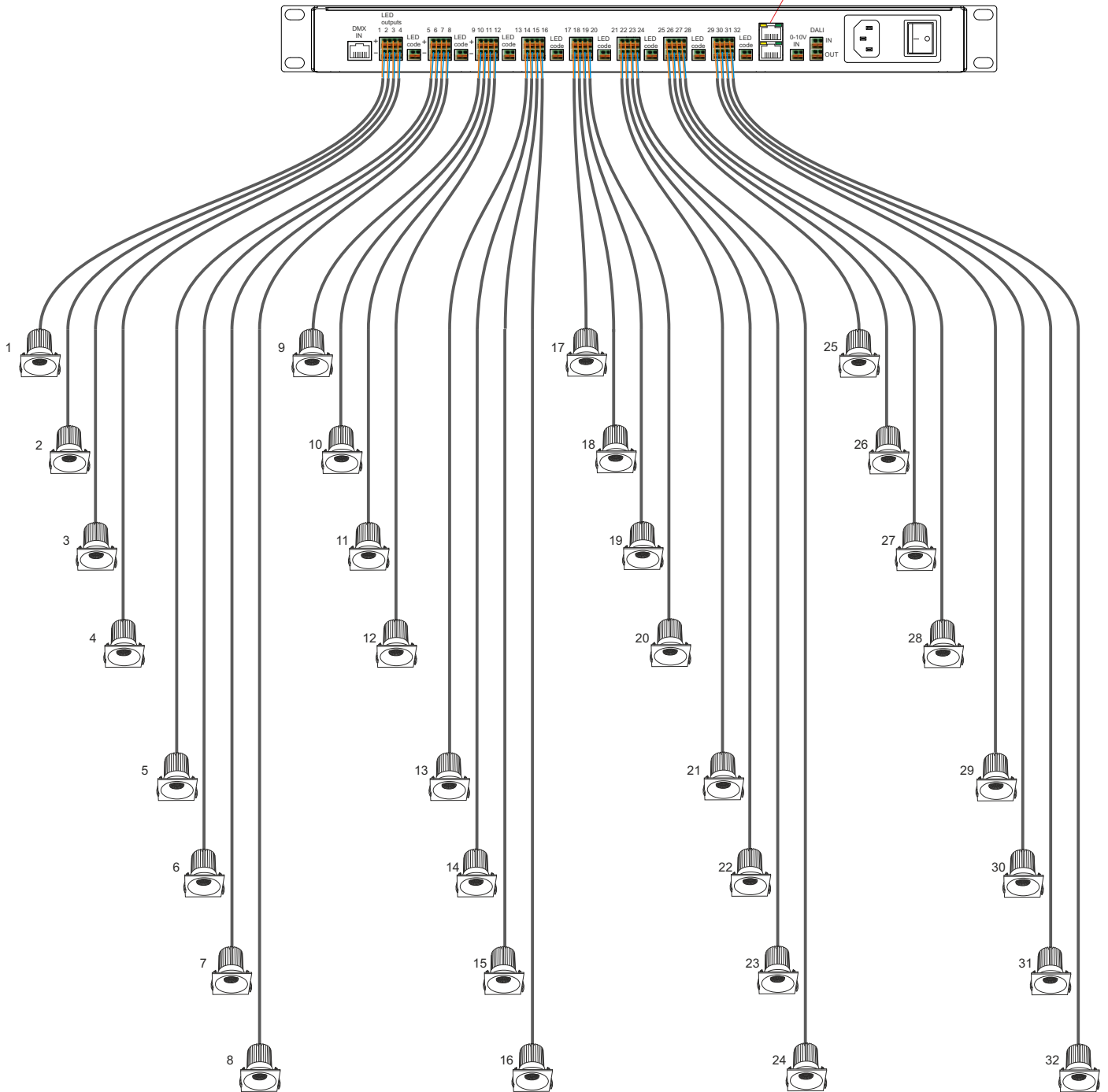
Universal input Voltage: 120V~277V 50/60Hz  
 Led outputs: 32x 200mA-1050mA  
 Power factor: > 0.9  
 min/max forward Voltage: 32x 2-48VDC

- Full dimming control: 100% to 0%,  
 Choice of linear or logarithmic dimming curve  
 Maximum (rated) power available over wide LED-voltage (30-55V) range  
 NTC interface per 4 LED-outputs for robust thermal management  
 Dimensions L x W x H (mm):482.6(19")x324x44.5(1HE)  
 Weight: 6.1 Kg  
 Worldwide Certifications:  
 • CE,  
 • IEC 61347, IEC 62384, EN 55015,  
 EN 55022, IEC 61000-3-2, IEC 61547  
 • UL: pending



**DMXRDM** **DALI** **0-10V**  
**CE LEDcode SHOWmaster**

DMX 2x RJ-45 (CAD-5)  
 orange/white = DMX+  
 orange = DMX-  
 Brown/white = GND (shield)



Each connector has 4 outputchannels. Load max. 1x Fulda-1W WW to one output-channel and total max. 32 Fulda-1W WW to one driver.  
 To avoid damages to the LED, all cables & plugs must be connected before switching on the power !